

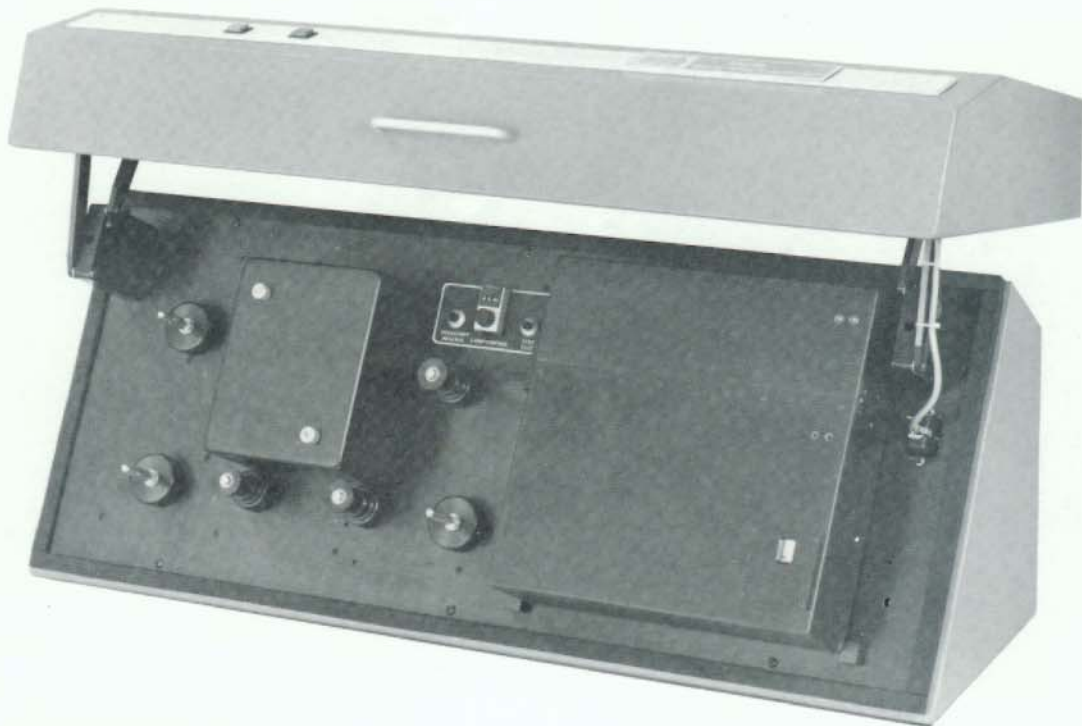


Houston Fearless 76

50 YEARS OF ACHIEVEMENTS

SILVER FILM DUPLICATORS

MODEL 2150
MODEL 2130



- Daylight Operating
- Unattended Operation
- Automatic Step Test

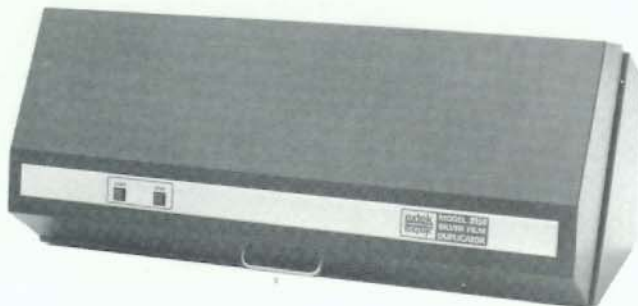
Extek's Model 2150 is a desk top silver roll film duplicator designed to meet the needs of users having low volume microfilm duplicating requirements. It is compact, completely self-contained, and is suitable for use in an office environment. Automatic features allow unattended operation.

The duplicating film supply is carried in the Model 2102 magazine. The magazine is demountable for darkroom

loading. Its self-threading design provides an additional convenience. An easily read indicator shows the film remaining in the magazine.

Simplified controls make the Model 2150 easy to use. The exposure control dial is not accessible during the duplication cycle, eliminating the possibility of uncontrolled change during unattended operation. Upon completion of the duplicating cycle the Model 2150 automatically stops. Visible and audible signals announce the completion.

A unique automatic step test feature of the Model 2150 is another convenience. In the test a short length of duplicating film is automatically exposed at a series of different exposure values. From the measured densities on the test film the exposure dial setting needed to achieve the desired density of the actual duplicate can be easily determined.



SPECIFICATIONS

Film Size:

16 mm or 35 mm

Thickness 2.5 mil to 6 mil.

Master and duplicating films may be different thickness.

Both master and duplicating films may have sprocket holes; however sprocket-hole registration is not maintained.

Film Type:

Master — Silver Halide, Diazo or Vesicular.

Duplicate — Silver Halide — Print film (image reversed).
Direct duplicating film
(image not reversed).

Film Capacity:

Duplicate Supply	Max. Roll Dia.	4.2 mil	2.7 mil
Magazine	10.6 in (27 cm)	1600 ft (488 m)	2400 ft (731 m)
Master Supply	5 mil	4 mil	2.5 mil
Camera type reels	120 ft (36 m)	150 ft (49 m)	220 ft (67 m)

Duplicating Speed:

50 ft per min (15 m per min), fixed.

Automatic Step Test:

Six levels of exposure, with signature between levels. Increments are 2% of full exposure range, beginning from baseline of exposure control dial setting.

Electrical

Model	AC Input (single phase)	Current
2150	105 to 125 volts, 60 Hz	1.4 amps, max.
2150E	210 to 250 volts, 50 Hz	0.7 amps, max.

Environment:

Daylight operation.

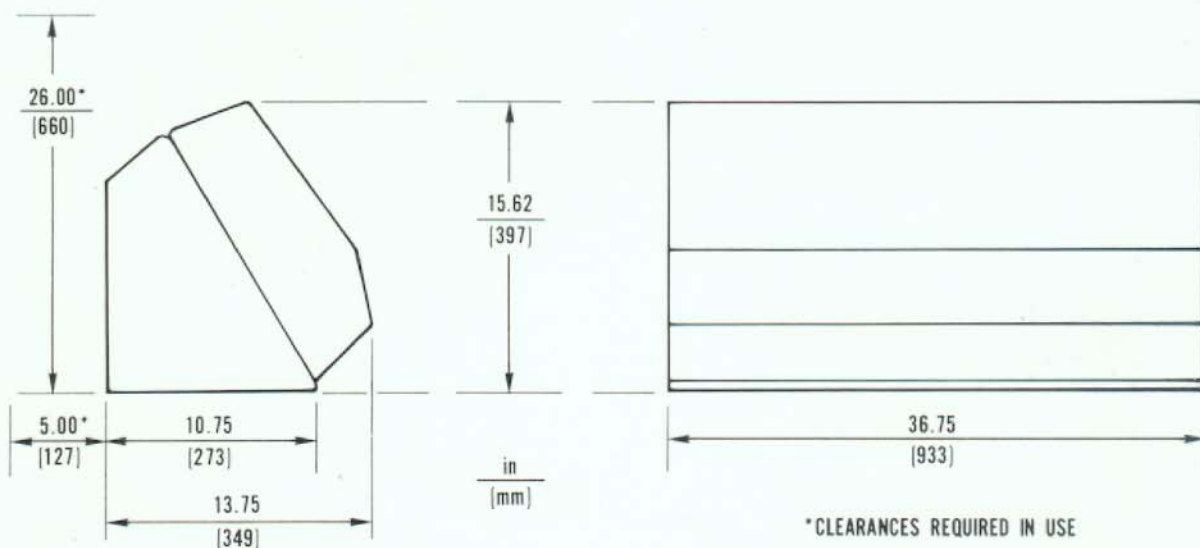
Recommended relative humidity range 60 to 85%.

Heat load less than 650 BTU per hr (190 watts).

Weight:

Model	Unit Wt.	Shipping Wt.
2150	80 lb (35 kg)	115 lb (48 kg)
2150E	80 lb (35 kg)	115 lb (48 kg)
2102	10 lb (4.5 kg)	12 lb (5.5 kg)

DIMENSIONS



ACCESSORIES

Model 2102 Magazine (spare)

Spare Parts Kits:

Contain an assortment of replaceable parts. Level I kit is for users having local service. Level II kit is for service organizations and users who must maintain the equipment themselves.

Film Cleaner:

The Extex Model 6065 automatic film cleaner may be used to clean the master film before duplicating.

Densitometer:

The Extex Model 4004 digital densitometer is a convenient tool for quality control of duplicates.

OPTIONAL:

Model 2130, identical to 2150 but without daylight hinged cover. For operation in safe light room

Model 2110, color film duplicator for darkroom operation.

Specifications subject to change without notice.



Houston Fearless 76
INCORPORATED